

EL 560 EC O 01

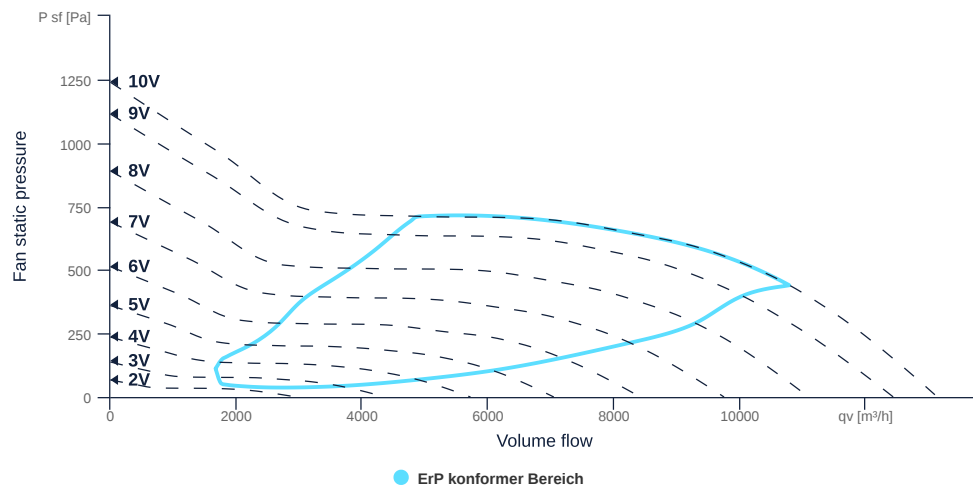
164094

- Innovative, high-efficiency diagonal fan
- Optimally tuned, CFD-optimized aerodynamics
- The benchmark for efficiency since 2007
- High efficiency EC motor, steplessly controllable
- Conveyed medium temperature up to 60 °C in continuous operation
- Housing made of aluminum



FAN CURVES

Name	Value	Unit
Volume flow	0	m³/h
Pressure	0	Pa



to the product detail page

GENERAL DATA

Name	Value	Unit	Formula symbol
Labeling	CE, UKCA		
Duct size	-		WxH _{duct}
Pipe connection size (DN)	DN560		DN
Rated voltage (entire device)	400	V	U _{rated}
Phases (entire device)	3~		phase
Electrical protection (entire device)	6 A		fuse
Housing material	Aluminium		mat _{casing}
Impeller material	Aluminium		mat _{impeller}
Weight	32.9	kg	m
Fan type	Diagonal		Fan _{type}
Category / Installation situation	B		cat

MAXIMAL DATA

Name	Value		Unit	Formula symbol
	50 Hz	60 Hz		
Max. power consumption (device)	2547	2547	W	P _{ed, max}
Max. operating current (device)	3.92	3.92	A	I _{ed, max}
Max. speed	2000	2000	1/min	n _{max}
Max. stat. efficiency	58	58	%	η _{es}
Max. fan efficiency	63	63	%	η _e
Max. flowrate	13135	13135	m ³ /h	q _{v, max}
Max. stat pressure	1240	1240	Pa	p _{sf, max}
Max. medium temperature	60	60	°C	T _{m, max}
Max. environment temperature	60	60	°C	T _{amb, max}
Min. environment temperature	-20	-20	°C	T _{amb, min}



to the product detail page

MOTOR DATA

Name	Value		Unit	Formula symbol
	50 Hz	60 Hz		
Rated frequency (device)		50		f
Motor type		EC		phase
Control type		stepless-controlled		ctrltype
Installation type		IRM (In)		install
Rotation direction		right		rotation
Isolation class		ISO F		ISOclass
Motor-protection		TEC		protectmotor
Protection class		IP55		IPmotor
Is pole-changeable		No		polexch
Type of power supply		AC 3~		pwrsupmotor
Rated voltage	400		V	U _{rated, f1}
Rated current	8.6		A	I _{rated, f1}
Shaft power	4000		W	P _{out, f1}
Speed	3000		1/min	n _{f1}
Efficiency	90.7		%	η _{m, f1}
UL-Certification motor		None		ULcert

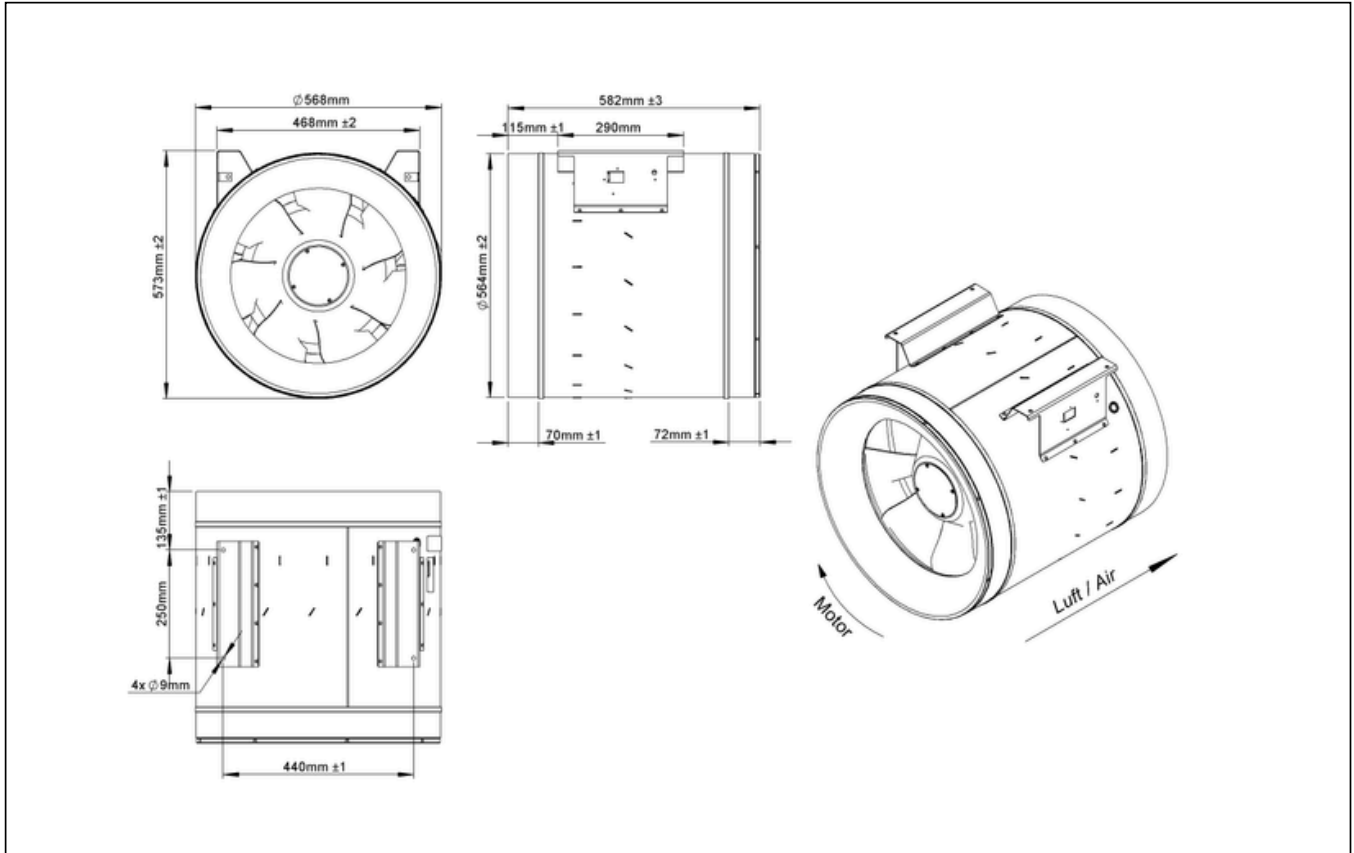
ERP DATA (LOT11)

Name	Value	Unit	Formula symbol
Speed at the energy efficiency optimum	2002	1/min	n _{opt}
Efficiency level	66.4	%	N
Efficiency category	total		catefficiency
Input power of the motor at the energy efficiency optimum	2.37	kW	P _{e, opt}
Overall efficiency	72.9	%	η _{ges}
Measurement category	B		meas cat
Fan pressure at energy efficiency optimum	658	Pa	p _{f, opt}
Flowrate at energy efficiency optimum	8281	m³/h	q _{v, opt}



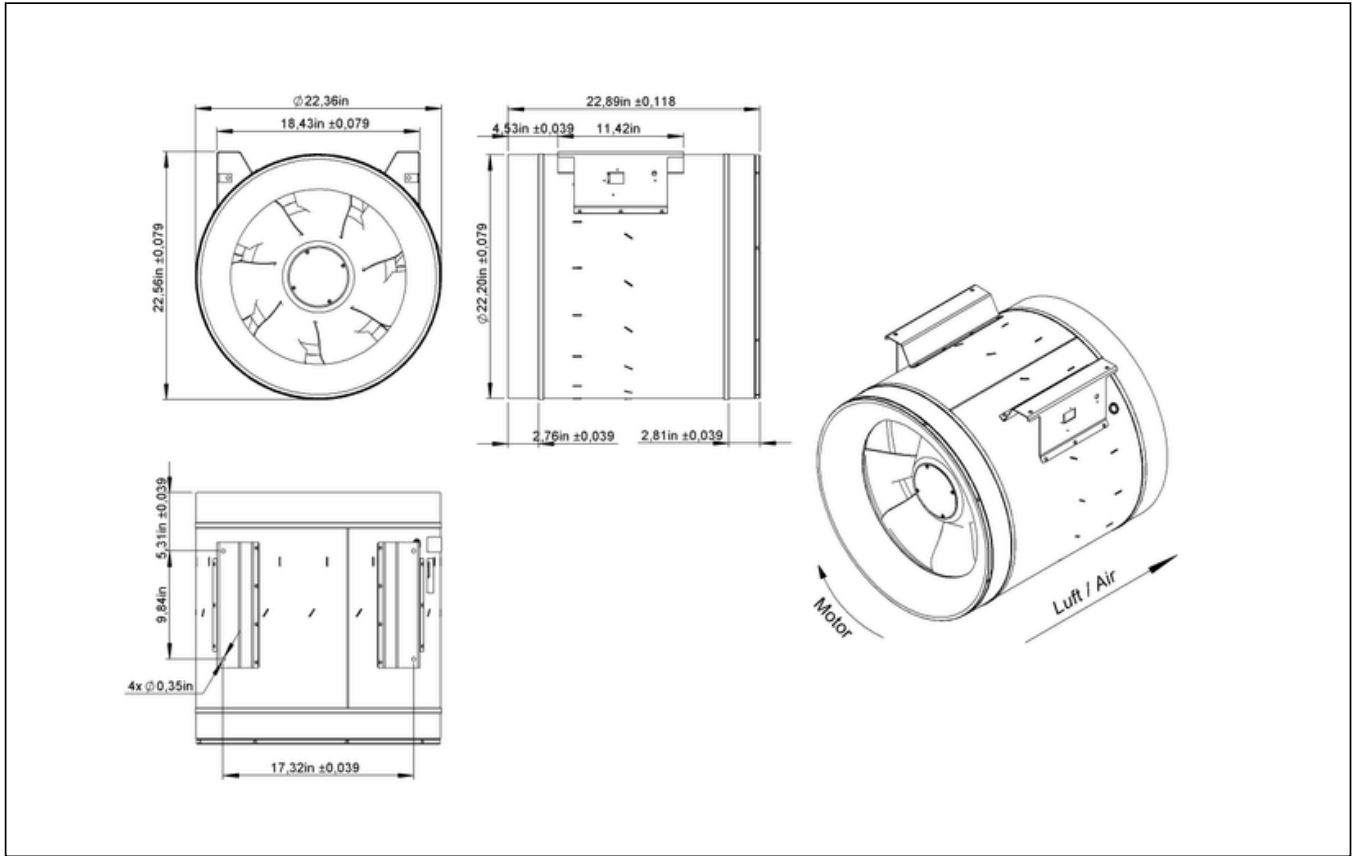
to the product detail page

CIRCUIT DIAGRAMS / DIMENSIONAL DRAWINGS



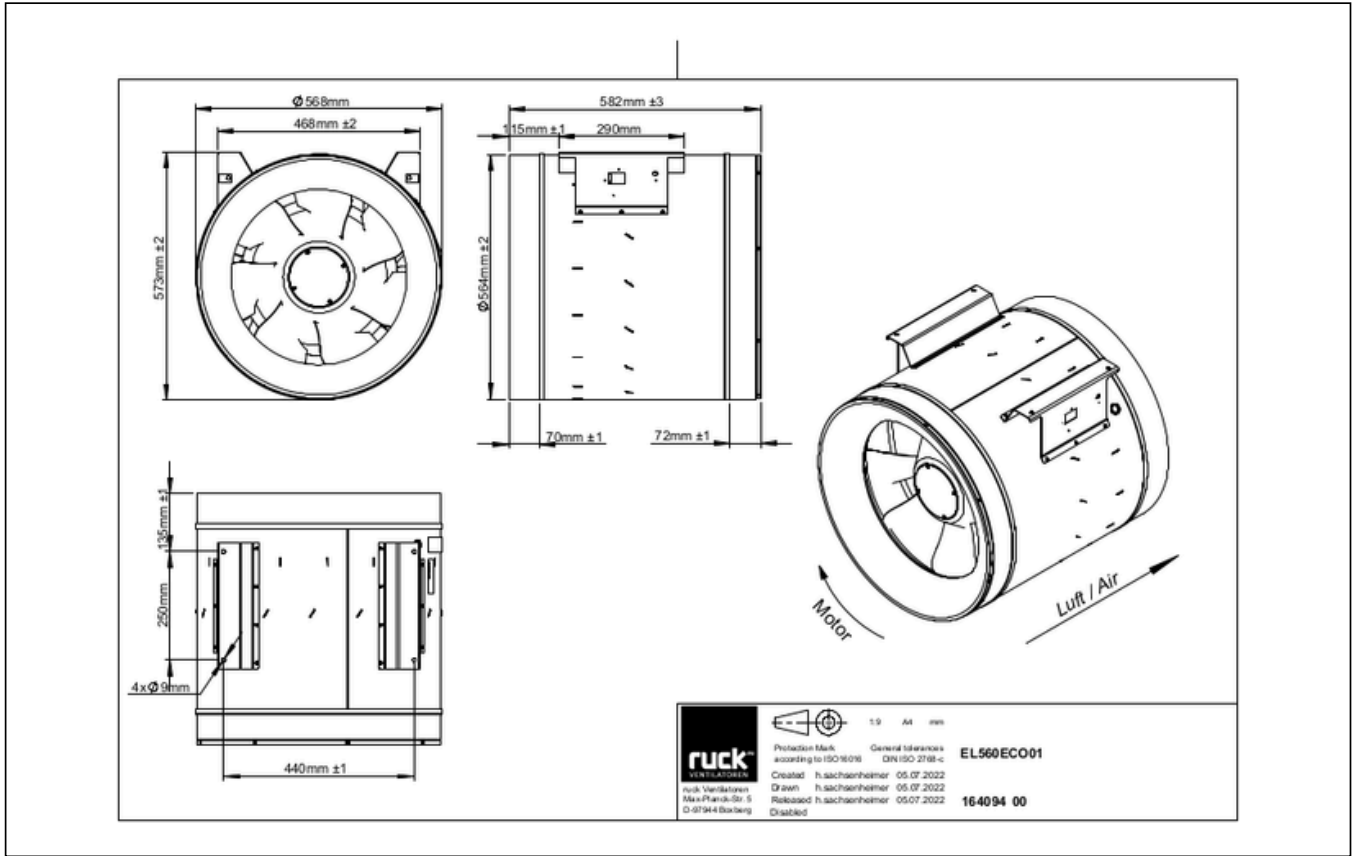
EL 560 EC O 01

164094



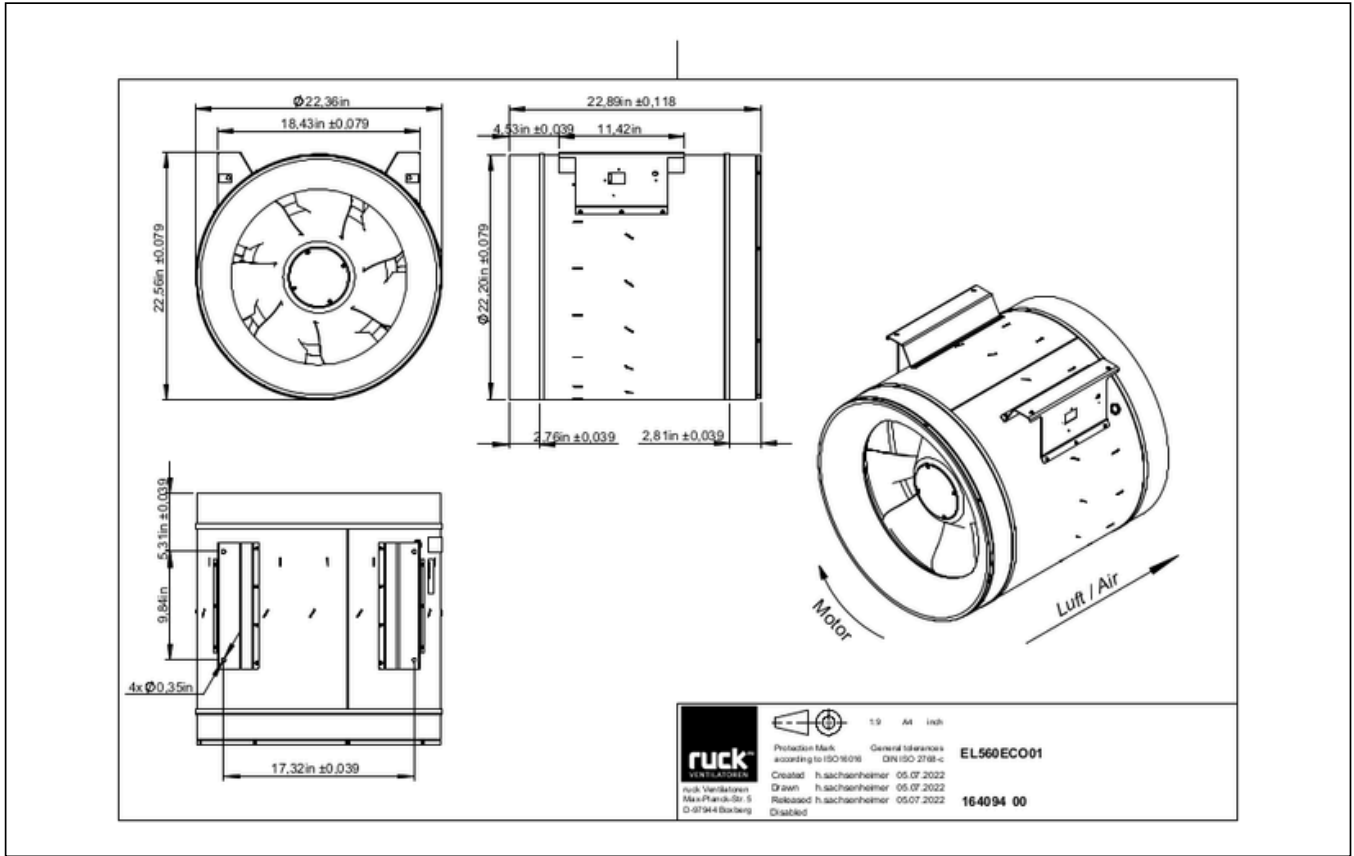
EL 560 EC O 01

164094



EL 560 EC O 01

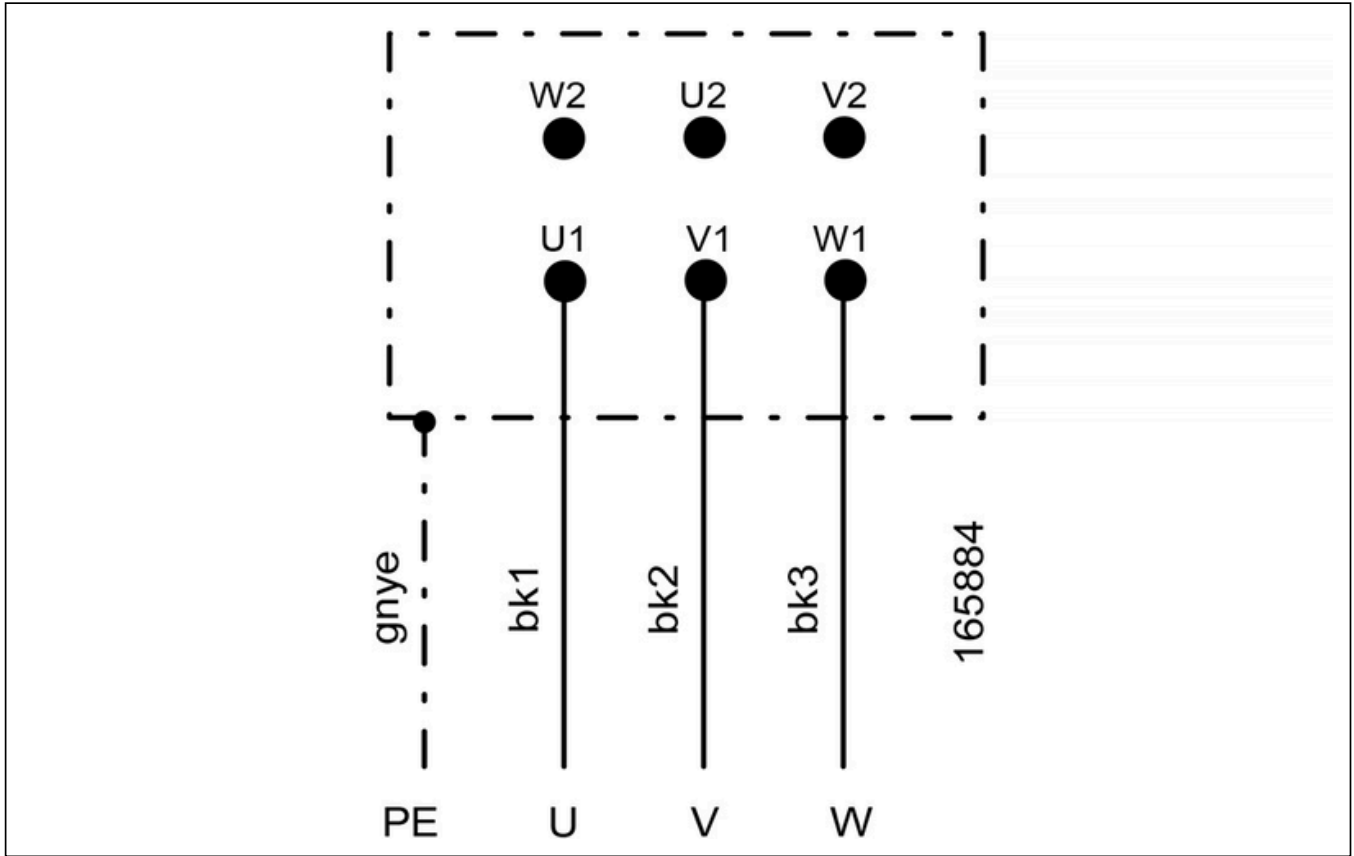
164094



to the product detail page

EL 560 EC O 01

164094



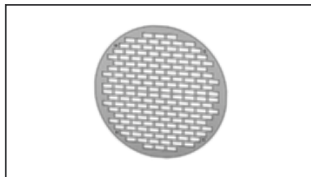
MECHANICAL ACCESSORIES

VM 560 | 119496



- Fast clamps for sound decoupling and sealing
- Galvanized steel sheet, 5 mm
- Neopren gasket
- 1 Pack = 2 pieces

SG 560 02 | 119412



- Inlet protection grille for Etaline
- Galvanized steel sheet



to the product detail page

ELECTRICAL ACCESSORIES

GS 03 | 107633



- Device switch
- $U_{max} = 400\text{ V}$, $I_{max} = 25\text{ A}$
- Switching capacity $400\text{ V } 3\sim = 7,5\text{ kW}$
- Protection class IP 55

MTP 20 | 128146



- Potentiometer $10\text{ k}\Omega$
- Switching contact $1\text{ A}/250\text{ V AC} - 2,5\text{ A}/12\text{ V DC}$
- Max. ambient temperature $50\text{ }^\circ\text{C}$
- VDE

MTP 30 | 143289



- Stepped potentiometer $10\text{ k}\Omega$
- Step 1 + 2 settable $10\% - 100\% \text{ Vdc}$
- Step 3 $100\% \text{ Vdc}$
- Supply voltage $+10\text{ Vdc}$

MTP 40 | 147359



- Potentiometer $10\text{ k}\Omega$
- Connection in terminal box
- Max. ambient temperature $50\text{ }^\circ\text{C}$
- PU: 20 pieces

SEN AIR | 148641



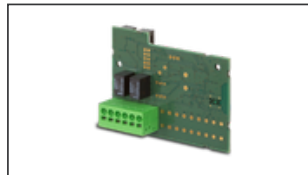
- Airflow and temperature transducer
- Measuring range temperature $0...+50\text{ }^\circ\text{C}$
- With adjustable switching threshold (air speed)
- Measuring range air velocity up to 20 m/s

CON P1000 | 115259



- Constant pressure control
- Actual value display possible via optional control unit
- Output $0-10\text{ V DC} + \text{FC enable} + \text{setpoint reached}$
- Pressure setting by means of decade switch

OJ RM 02 | 141890



- Extension board Relais Modul
- For EC controller for alarm and operating message
- Electrical connection through 6 spring terminals (max. $2,5\text{ mm}^2$)
- Digital relay outputs: 2 potential-free changeover relays, max. 1 A , $30\text{ V DC} / 24\text{ V AC}$

MTP 50 | 168752



- Potentiometer with multifunction output
- $230\text{ VAC } \pm 10\% / 50-60\text{ Hz}$
- Selectable output: $1-10\text{ VDC} / 2-20\text{ mA} / 10-100\% \text{ PWM}$
- Min. and max. output value adjustable

